

FRAME 150 DUO

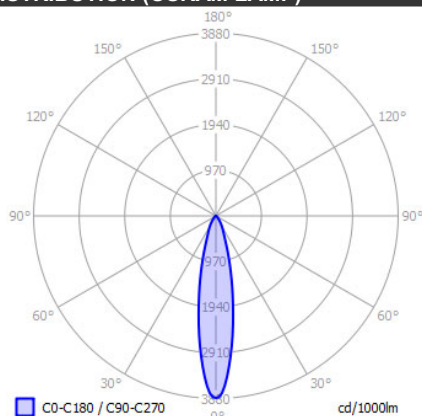
SPECIFICATIONS

MOUNTING		CEILING RECESSED
POWER	[W]	2xG53 LED
LAMP		NOT INCLUDED
LUMINOUS FLUX*	[lm]	-
LIGHT COLOUR	[K]	-
CRI		-
BEAM ANGLE	[°]	-
AVERAGE LIFETIME	[h]	-
LUMINOUS EFFICACY	[lm/W]	-
POWER SUPPLY	[V] [A]	12V AC
LED-DRIVER		-
DIMMING		SEE LAMP
THROUGH-WIRING		NO
MATERIAL		ALUMINUM
INGRESS PROTECTION		IP20
PROTECTION CLASS		III
NET WEIGHT	[kg]	1,86
GROSS WEIGHT	[kg]	1,90
COLOUR (HOUSING)		WHITE ~RAL9003
COLOUR (HOUSING)		BLACK ~RAL9004
CUT-OUT	[mm]	304x160
RECESSED DEPTH (H)	[mm]	105



LIGHT DISTRIBUTION (OSRAM LAMP)

24°



*Luminous flux values are nominal LED data at a operating temperature of 25° C

OPTIONS / OPTIONAL ACCESSORIES

ANTI GLARE CONE 150	WHITE
ANTI GLARE CONE 150	BLACK



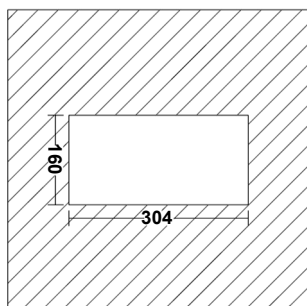
Colours



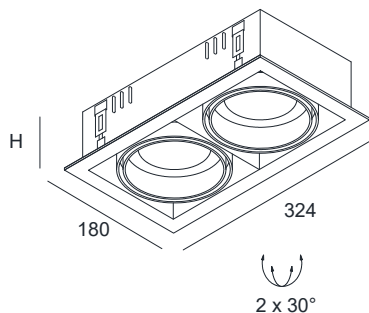
white

black

CUT OUT DIMENSIONS



FIXTURE DIMENSIONS



DLS LIGHTING

www.dslighting.com

***DLS**
LIGHTING