

CLIPPO EP 13W LED DIM TO WARM

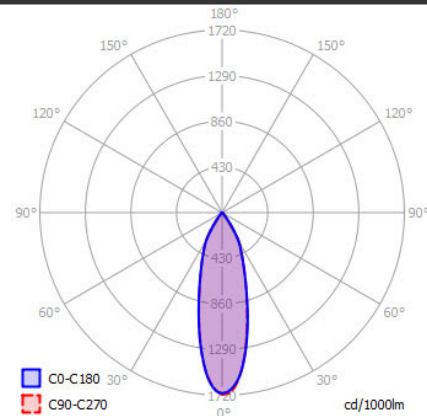
SPECIFICATIONS

| | | |
|--------------------|---------|------------------|
| MOUNTING | | CEILING RECESSED |
| POWER | [W] | 13 |
| LAMP | | built-in LED |
| LUMINOUS FLUX* | [lm] | 120-1100 |
| LIGHT COLOUR | [K] | 1910-3000 |
| CRI | | >90 |
| BEAM ANGLE | [°] | 33 (default) |
| AVERAGE LIFETIME | [h] | L80/B50.000 |
| LUMINOUS EFFICACY | [lm/W] | 84 |
| POWER SUPPLY | [V] [A] | 350mA CC |
| LED-DRIVER | | NOT INCLUDED |
| DIMMING | | SEE DRIVER |
| THROUGH-WIRING | | SEE DRIVER |
| MATERIAL | | ALUMINUM |
| INGRESS PROTECTION | | IP20 |
| PROTECTION CLASS | | III |
| NET WEIGHT | [kg] | 0,57 |
| GROSS WEIGHT | [kg] | 0,60 |
| COLOUR (HOUSING) | | WHITE ~RAL9003 |
| COLOUR (HOUSING) | | BLACK ~RAL9005 |
| CUT-OUT | [mm] | Ø90 |
| RECESSED DEPTH (H) | [mm] | 45 |



LIGHT DISTRIBUTION

33°



*Luminous flux values are nominal LED data at a operating temperature of 25° C

OPTIONS / OPTIONAL ACCESSORIES

| | | |
|-------------------|-----|---------|
| REFLECTOR | [°] | 24 / 50 |
| HONEY COMB LOUVER | | BLACK |
| ANTI GLARE RING | | GOLD |



Colours



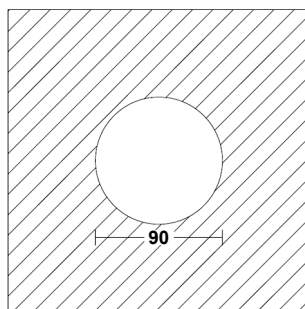
white/white

white/gold

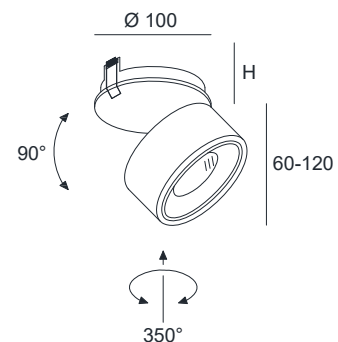
black/black

black/gold

CUT OUT DIMENSIONS



FIXTURE DIMENSIONS



DLS LIGHTING

www.dslighting.com

*DLS
LIGHTING

CLIPPO EP 14W LED

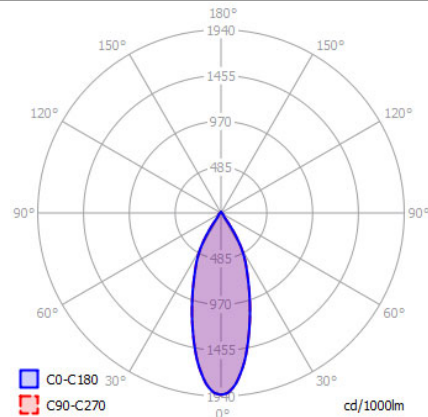
SPECIFICATIONS

| | | |
|--------------------|---------|------------------|
| MOUNTING | | CEILING RECESSED |
| POWER | [W] | 14 |
| LAMP | | built-in LED |
| LUMINOUS FLUX* | [lm] | 1310 / 1375 |
| LIGHT COLOUR | [K] | 2700 / 3000 |
| CRI | | >90 |
| BEAM ANGLE | [°] | 32 (default) |
| AVERAGE LIFETIME | [h] | L80/B50.000 |
| LUMINOUS EFFICACY | [lm/W] | 98 |
| POWER SUPPLY | [V] [A] | 500mA CC |
| LED-DRIVER | | NOT INCLUDED |
| DIMMING | | SEE DRIVER |
| THROUGH-WIRING | | SEE DRIVER |
| MATERIAL | | ALUMINUM |
| INGRESS PROTECTION | | IP20 |
| PROTECTION CLASS | | III |
| NET WEIGHT | [kg] | 0,57 |
| GROSS WEIGHT | [kg] | 0,60 |
| COLOUR (HOUSING) | | WHITE ~RAL9003 |
| COLOUR (HOUSING) | | BLACK ~RAL9005 |
| CUT-OUT | [mm] | Ø90 |
| RECESSED DEPTH (H) | [mm] | 45 |



LIGHT DISTRIBUTION

32°



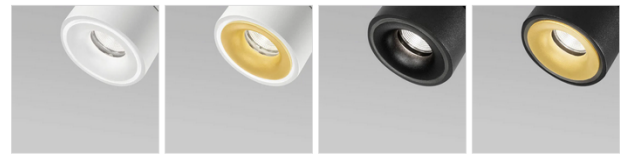
*Luminous flux values are nominal LED data at a operating temperature of 25° C

OPTIONS / OPTIONAL ACCESSORIES

| | | |
|-------------------|-----|---------|
| REFLECTOR | [°] | 15 / 48 |
| LENS | [°] | 18 |
| HONEY COMB LOUVER | | BLACK |
| ANTI GLARE RING | | GOLD |



Colours



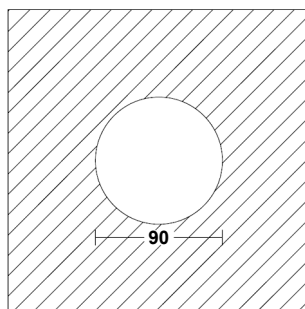
white/white

white/gold

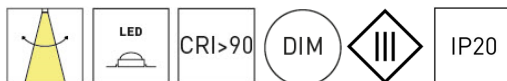
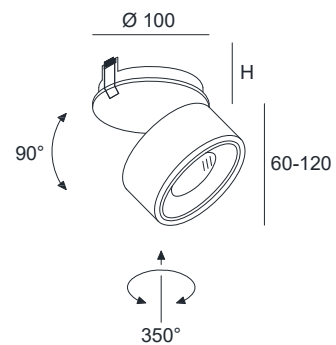
black/black

black/gold

CUT OUT DIMENSIONS



FIXTURE DIMENSIONS



DLS LIGHTING

www.dslighting.com

***DLS**
LIGHTING